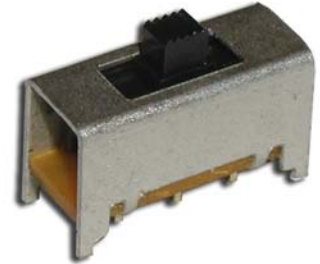


**SPECIFICATIONS**

Switch Function	DPDT
Electrical Ratings	200mA @ 30VDC
Electrical Life	10,000 cycles typical
Contact Resistance	< 50 mΩ initial
Actuation Force	200 +/- 100gF
Actuator Travel	4.0 mm total
Dielectric Strength	1000Vrms min
Insulation Resistance	> 100MΩ min
Operating Temperature	-40°C to 85°C
Storage Temperature	-40°C to 85°C



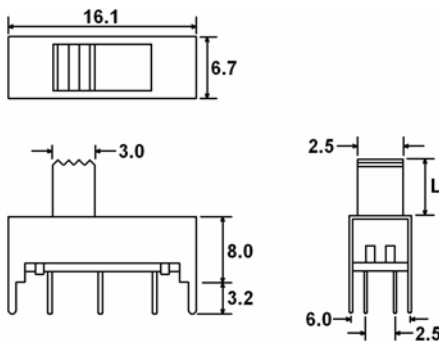
**MATERIALS ←RoHS COMPLIANT**

Actuator	Acetal
Housing	Steel
Base	Phenolic
Contacts	Phosphor Bronze, Silver Plated
Terminals	Brass, Silver Plated

**ORDERING INFORMATION**

<b>1. Series:</b>	<b>MS2201</b>	<b>L4.5</b>
MS2201		
<b>2. Actuator Length:</b>		
L3 = 3mm		
L4.5 = 4.5mm		
L6 = 6mm		
L9 = 9mm		
L12 = 12mm		

**DIMENSIONS**



**SCHEMATIC & PC LAYOUT**

